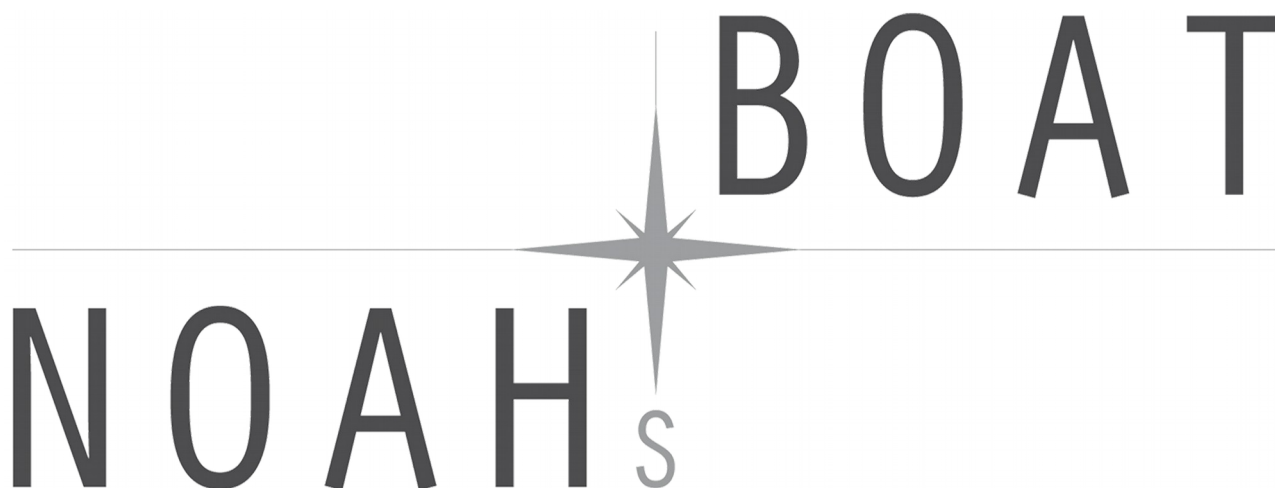


# Technical Rider – Festival 2016



## Stage

- at least 6x4m
- two 2x2m riser

## Monitoring

- 6 monitor paths
- 5 wedges (suitable for stage dimensions)
- own In-Ear-System for drummer, XLR feed to drums

## FOH

- at least 32 ch & 10 AUX busses mixing desk (analog/digital)
  - if analog (Allen&Heath, Midas or equivalent) – required outboard:
    - 3 effect processors: 2x Hall/Reverb & 1x Delay
    - 5x Gate
    - 8x Compressor (at least)
    - 31 band graphic EQ on every monitor out + main mix
  - if digital: Allen&Heath GLD, iLive, dLive; Yamaha CL, QL; Soundcraft Vi; Avid Venue; Midas Pro; Digico SD, S21

In this technical rider we try to describe our ideal setup. If you can't fulfill every single point, don't worry and contact us. We will find a solution satisfying all needs.

---

Contact: [info@noahsboat.de](mailto:info@noahsboat.de)

Sound engineer: Benjamin Dummer (+49 160 1031761, [benjamin.dummer@gmail.com](mailto:benjamin.dummer@gmail.com))

## Inputlist/Patchplan

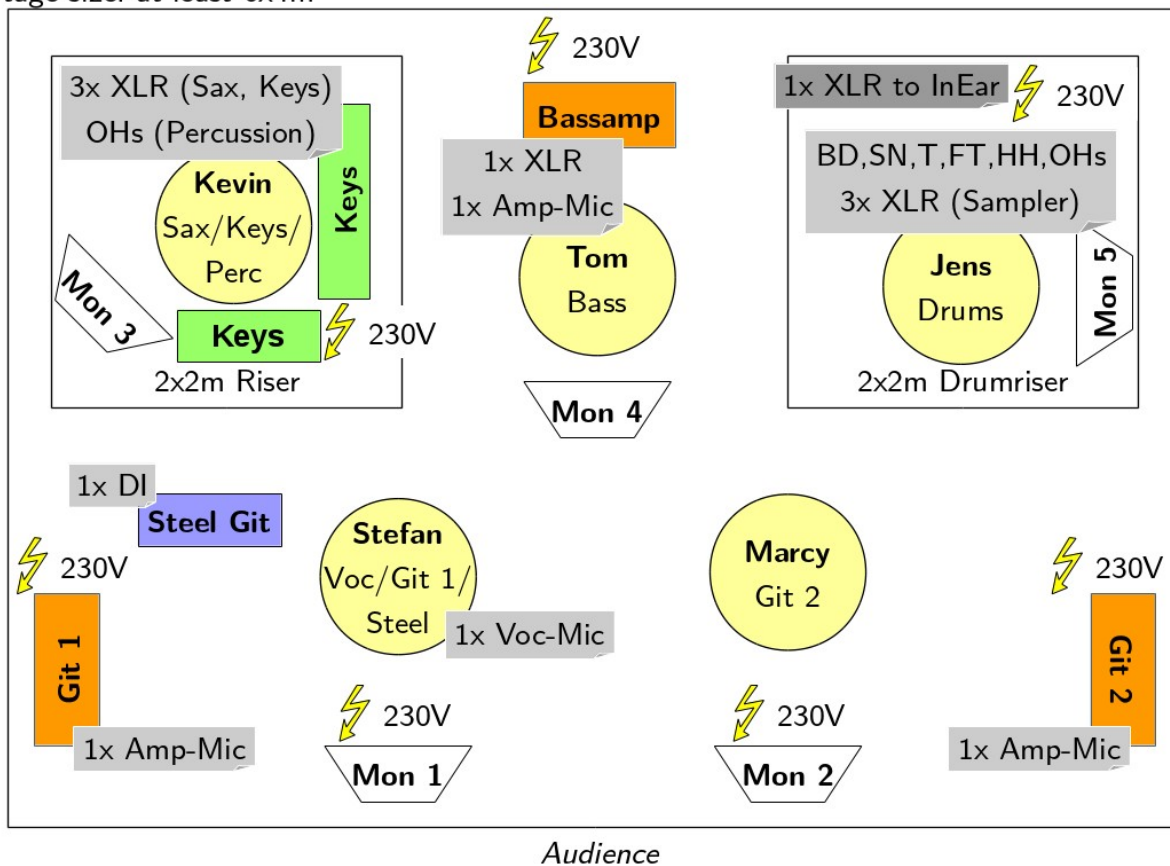
Ch	Name	Mic/Input	Insert
1	BD in	Beta91A, E901 or the like	Gate (+ Compressor)
2	BD out	Audix D6; E902 or the like	Gate
3	SN top	Beta57A, MD421 or the like	Compressor + Gate
4	SN bottom	E904 or the like	
5	Tom	E904 or the like	Gate
6	Floor Tom	E904 or the like	Gate
7	HH	AT 4041 or the like	
8	OH L	AKG C1000, AT 4041 or the like	
9	OH R		
10	Drum sampler 1 (mono)	Own DI	
11	Drum sampler 2 L	Own DI	
12	Drum sampler 2 R		
13	Bass DI	XLR	Compressor
14	Bass Mic	MD421 or the like	
15	Git 1	E906 or the like	
16	Git 2		
17	Steel Git	DI (activ)	
18	Keys L	XLR	
19	Keys R		
20	Percussion OH 1	AKG C1000, AT 4041 or the like	
21	Percussion OH 2		
22	Sax	Own clip mic	Compressor
23	Voc	SM58 or the like	

Contact: [info@noahsboat.de](mailto:info@noahsboat.de)

Sound engineer: Benjamin Dummer (+49 160 1031761, [benjamin.dummer@gmail.com](mailto:benjamin.dummer@gmail.com))

# Stageplan

Stage size: at least 6x4m



Contact: [info@noahsboat.de](mailto:info@noahsboat.de)

Sound engineer: Benjamin Dummer (+49 160 1031761, [benjamin.dummer@gmail.com](mailto:benjamin.dummer@gmail.com))